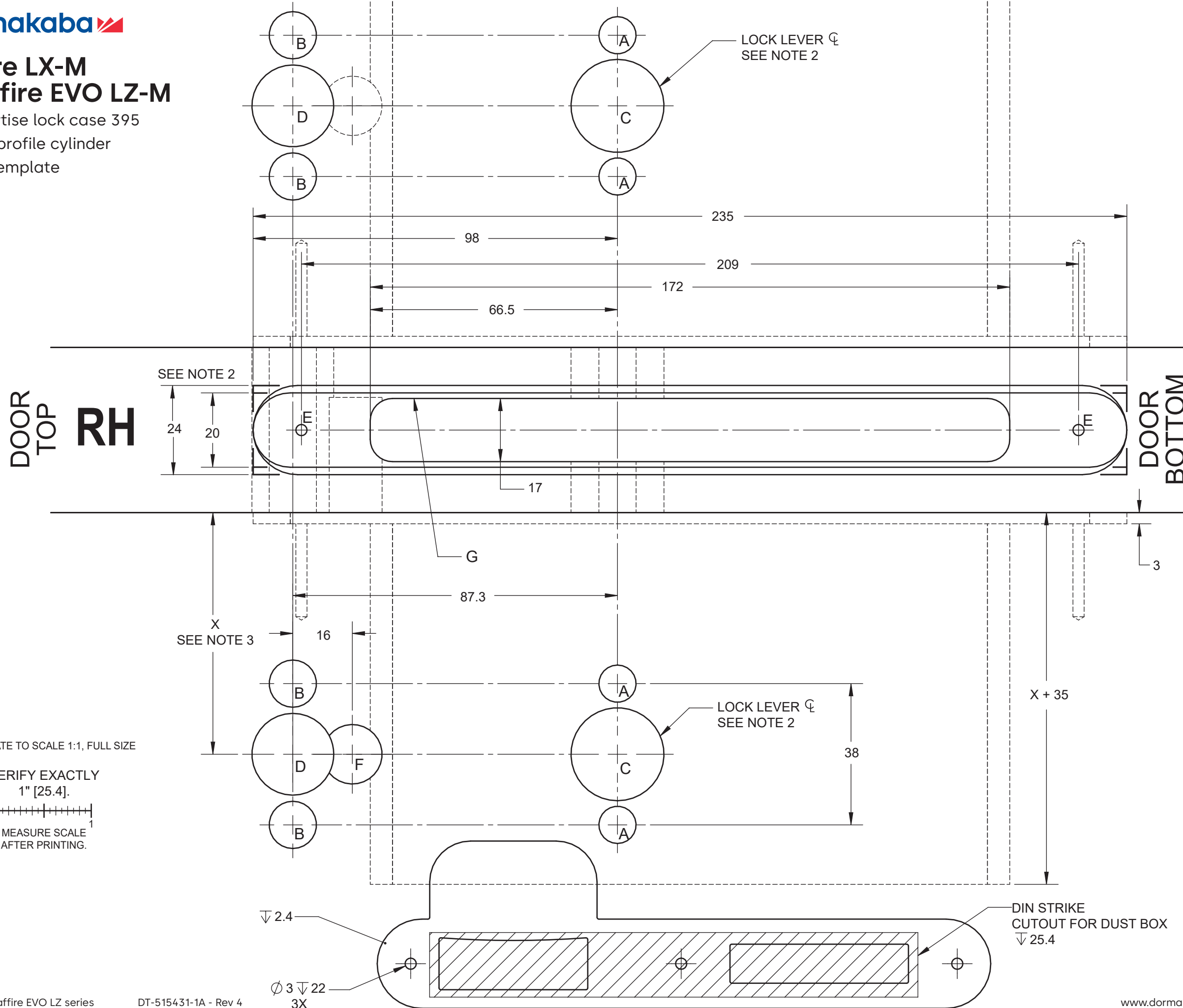


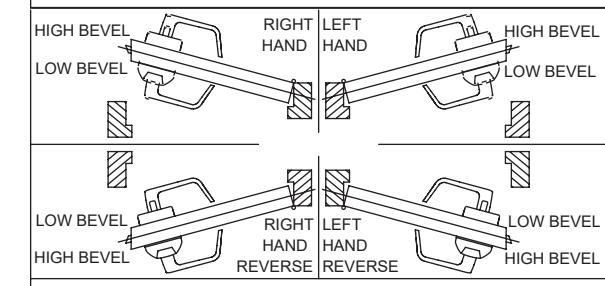
Saffire LX-M & Saffire EVO LZ-M

Euro mortise lock case 395
No Euro profile cylinder
Drilling template

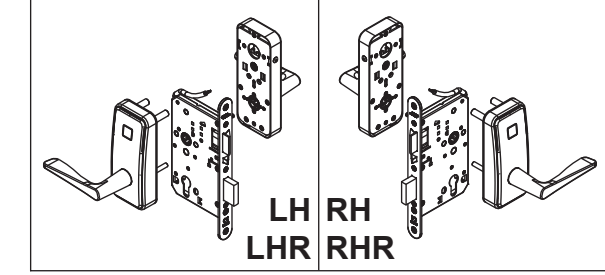


HOLE ID	DIM [mm]	COMMENTS
A	∅10	*
B	∅12.5	*
C	∅25	*
D	∅22	*
E	∅3	∇22
F	∅16	TO WALL G

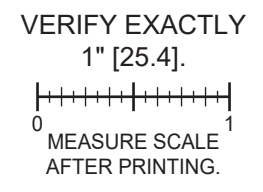
* UNLESS OTHERWISE NOTED, DRILL HALF DOOR THICKNESS ON BOTH SIDES.



- NOTES:
- FOR DIMENSIONS AND TOLERANCES REFER TO CORRESPONDING DOOR PREPARATION DRAWING IP-516431-1.
 - TO CUT OUT AS PER FOREND DIMENSION (20 OR 24 mm, ROUND OR SQUARE ENDS).
 - BACKSET SHOWN FOR REFERENCE ONLY. ADJUST BACKSET AS PER LOCK CASE.
 - SYMBOLS:
 - ∇ DEEP
 - ⊕ CENTERLINE OF DOOR
 - ∅ DIAMETER
 - ALL DIMENSIONS ARE IN MILLIMETERS [mm].

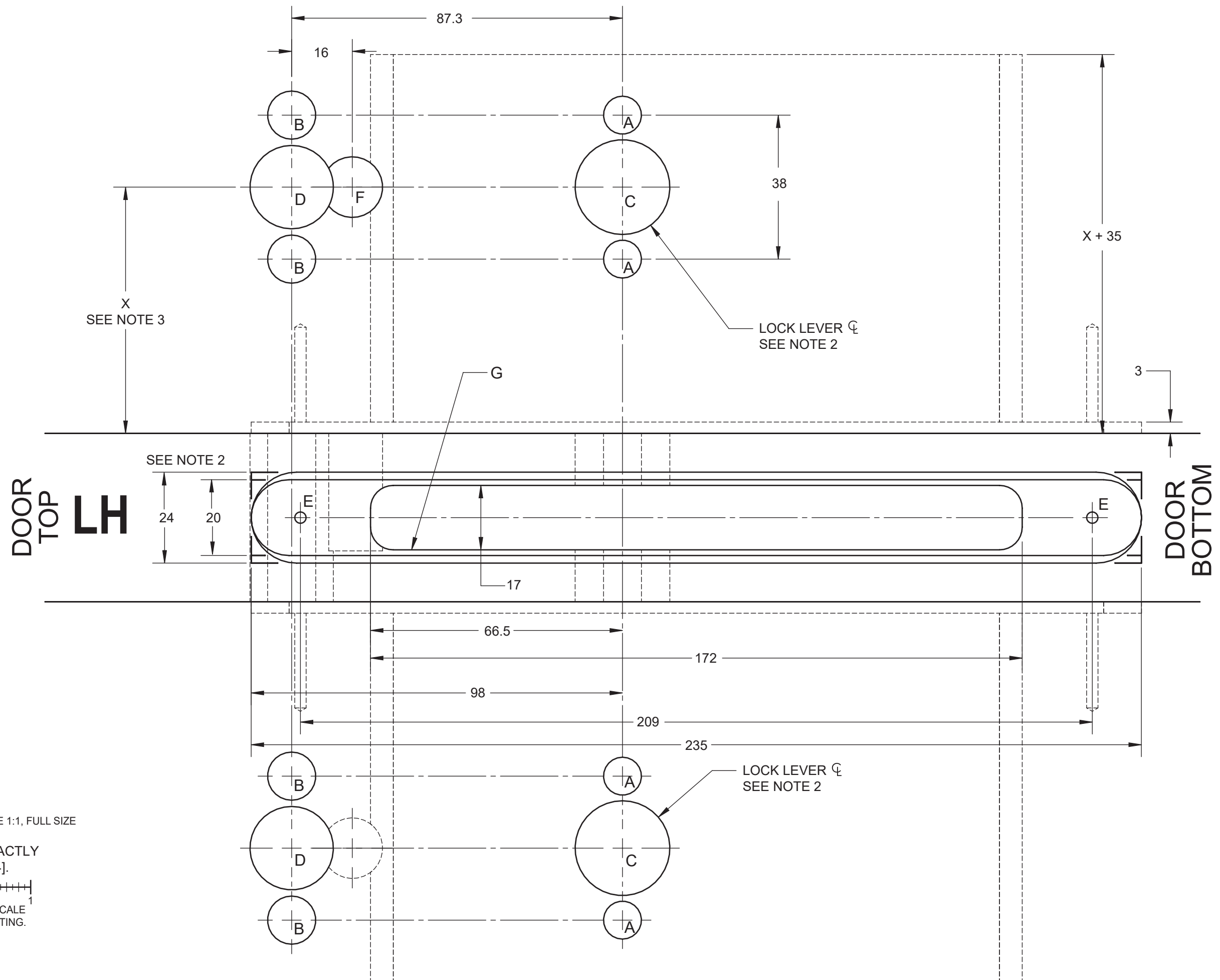


TEMPLATE TO SCALE 1:1, FULL SIZE



WARNING

- To verify lock coverage and door operation meets expectations, dormakaba strongly recommends completing a full door mockup. This will ensure that all necessary products and parts for a successful installation are included.
- Always validate that you have selected the correct template for specific lock model being installed. The same lock model can be offered with different locking device options.
- Always validate after printing to confirm the dimensions listed on the drawing have printed on a 1:1 scale.
- If you have any questions, please contact your local sales representative or authorized reseller.



TEMPLATE TO SCALE 1:1, FULL SIZE

VERIFY EXACTLY
1" [25.4].

